

PROPERTY INFORMATION

John Doe
0000 John Doe Dr.
Nashville, TN 30000

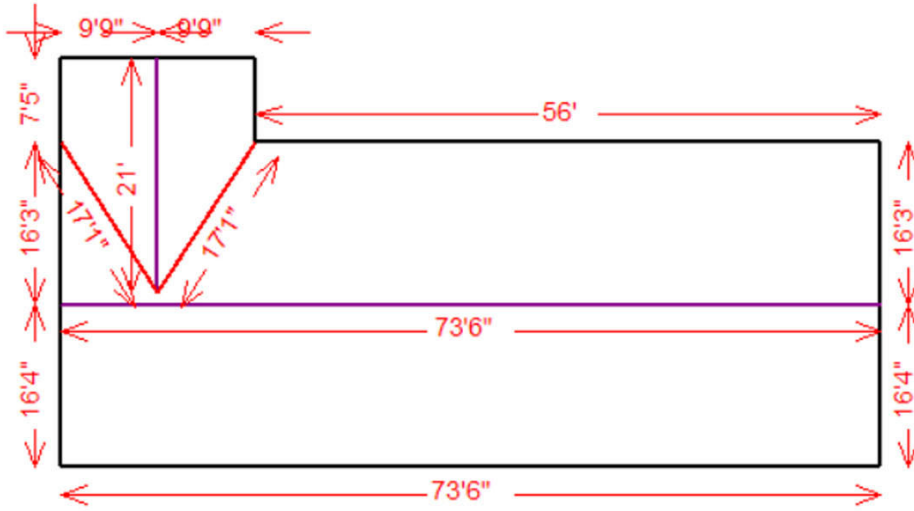
CONTRACTOR

Example Roofing LLC



POWERED BY AERIAL PRECISION REPORTS, LLC

WWW.AERIALPRECISIONREPORTS.COM | 615-866-6518



REPORT SUMMARY

Total Area (SQ)	25.33
Ridge (FT)	94.00
Hip (FT)	0.00
Valley (FT)	34.00
Main Pitch	6/12
End/Step Flashing	0.00
Eaves (FT)	144.00
Rake Edge (FT)	85.00
Rake + Eave	229.00

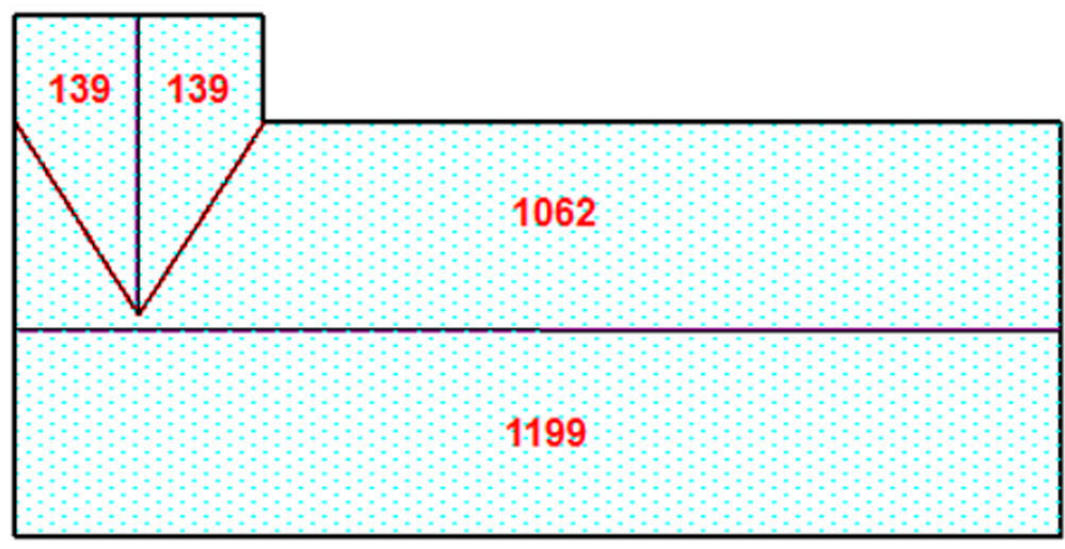
WASTE FACTOR

5%	26.59
10%	27.86
15%	29.12



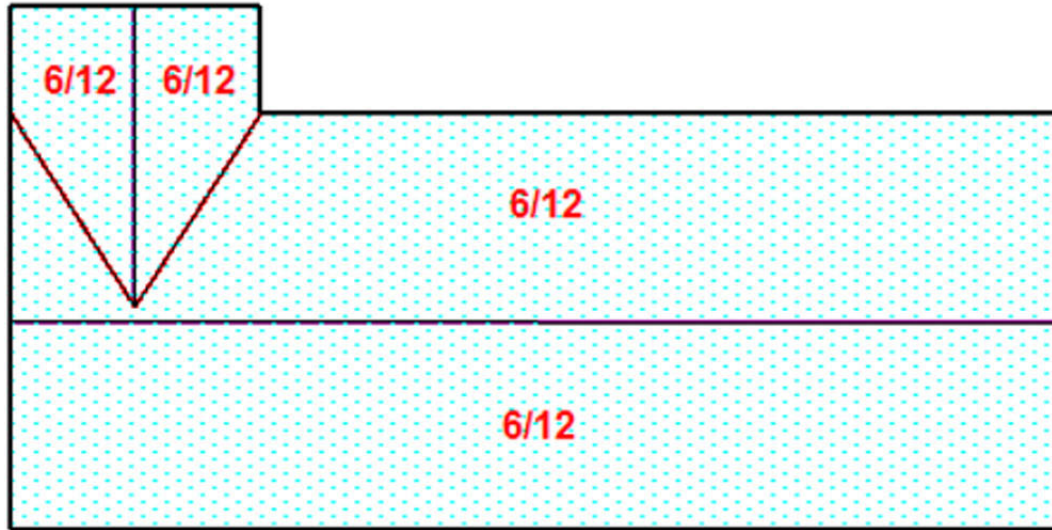
POWERED BY AERIAL PRECISION REPORTS, LLC

WWW.AERIALPRECISIONREPORTS.COM | 615-866-6518



POWERED BY AERIAL PRECISION REPORTS, LLC

WWW.AERIALPRECISIONREPORTS.COM | 615-866-6518



POWERED BY AERIAL PRECISION REPORTS, LLC

WWW.AERIALPRECISIONREPORTS.COM | 615-866-6518